

---

**GROUP 13C**

**FUEL SUPPLY**

**CONTENTS**

**GENERAL DESCRIPTION..... 13C-2 FUEL TANK ..... 13C-3**

**GENERAL DESCRIPTION**

M2134000100413

The fuel system consists of the following components:

- Fuel injector
- Fuel rail
- Fuel pipe
- Fuel tank
- Fuel level sensor (sub)
- Fuel tank differential pressure sensor
- Fuel pump module
- Fuel tank leveling valve
- Evaporative emission canister

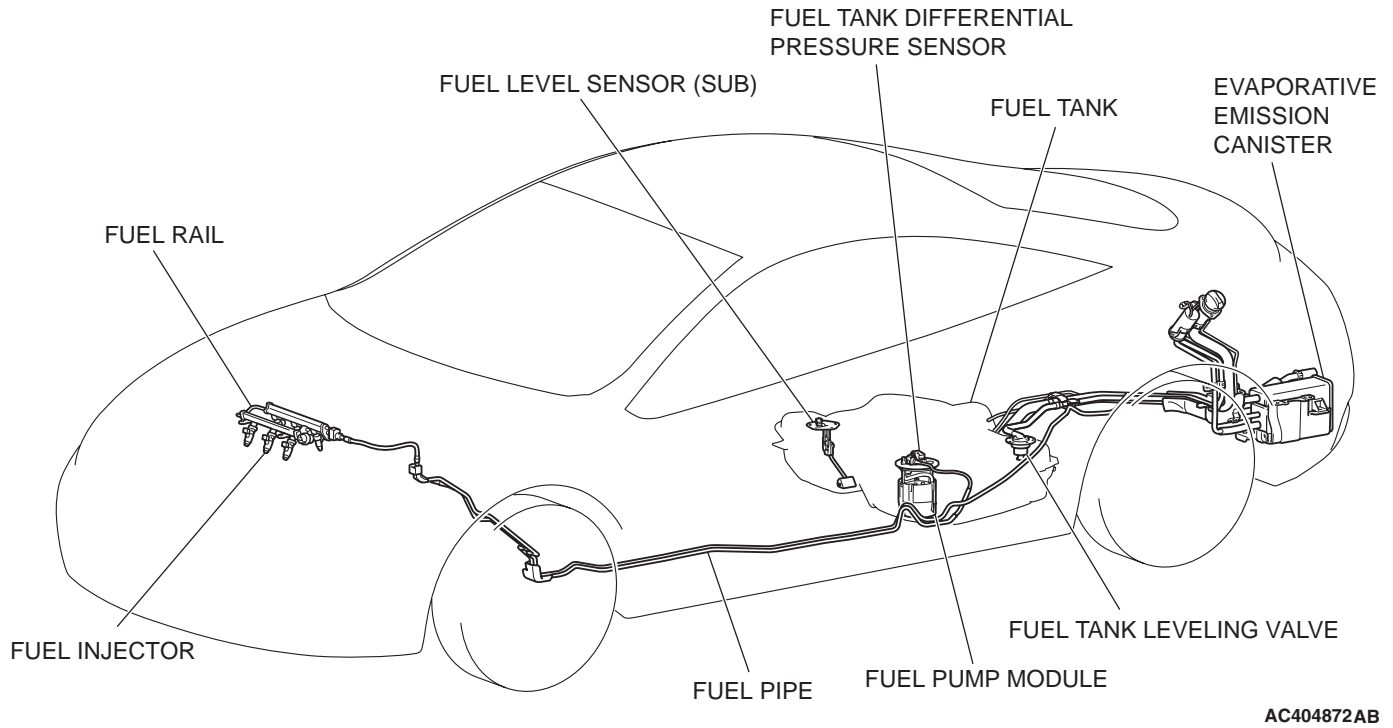
The fuel system has the following characteristics.

- A plastic tube (a conductive multilayer nylon tube) is used for the fuel high-pressure hose in the engine compartment to improve fuel supply performance and reduce the weight.
- For the vapor hose and purge hose, hoses for a lower rate of supply are used.
- A returnless fuel system eliminates returned fuel from the engine. The heat that fuel receives from the engine is reduced, minimizing fuel temperature in the fuel tank and controlling the amount of evaporated gas.

**SPECIFICATIONS**

ITEM		SPECIFICATION	
Fuel tank capacity dm <sup>3</sup> (gal)		67 (17.7)	
Fuel pump type		Electric	
Fuel filter type		Cartridge (incorporates fuel pump module)	
Fuel pump pressure regulator pressure kPa (psi)		324 (47)	
Fuel injector	Type	Electro-magnetic	
	Quantity	2.4L Engine	4
		3.8L Engine	6
Evaporative emission control system		Canister	

CONSTRUCTION DIAGRAM



FUEL TANK

M2134001000464

The fuel tank assembly consists of the following components:

- Fuel high-pressure hose
- Fuel tank
- Fuel tank leveling valve
- Fuel tank differential pressure sensor
- Fuel tank shut-off valve
- Fuel level sensor (sub)
- Fuel pump module

The fuel pump module consists of the following components:

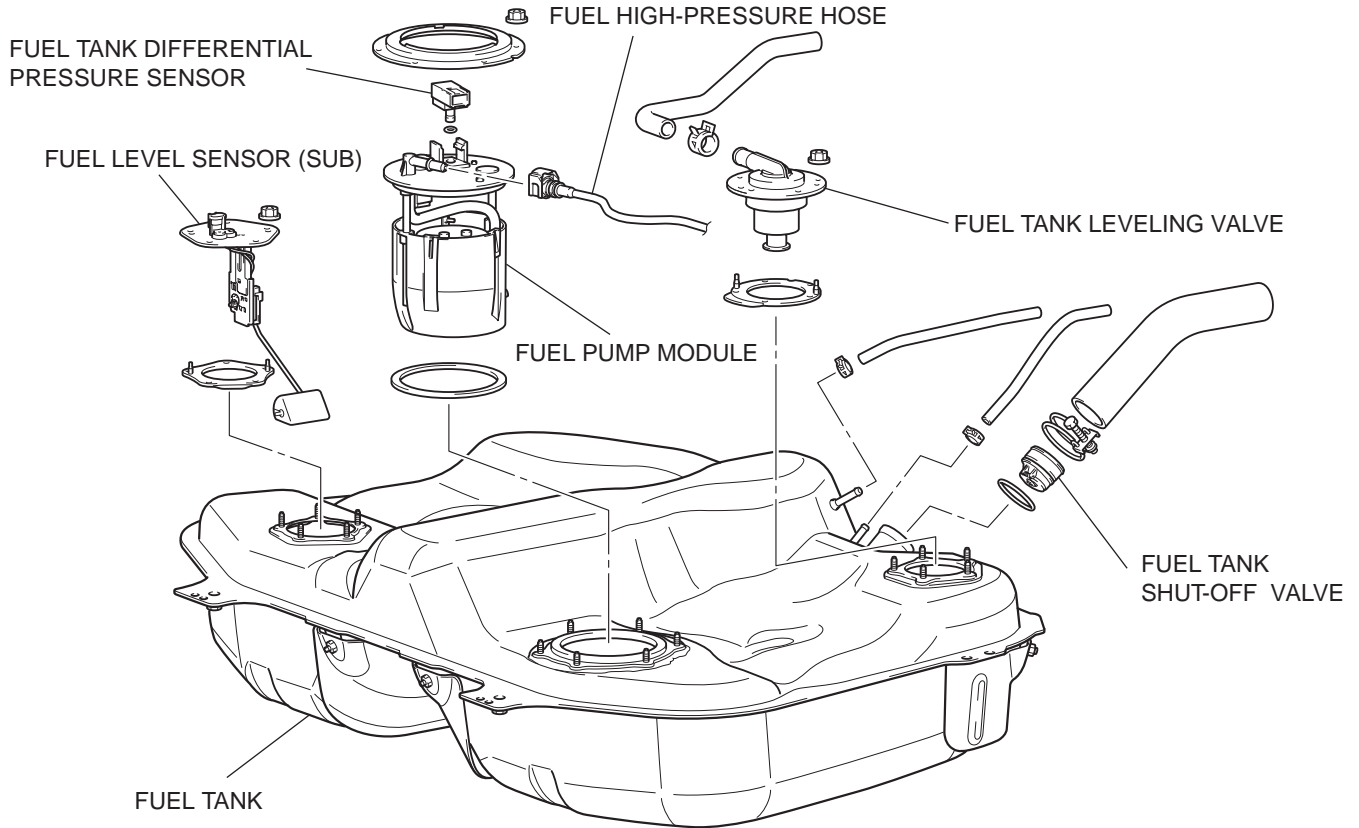
- Fuel pump
- Fuel level sensor
- Fuel filter
- Fuel pump pressure regulator

- Fuel tank temperature sensor

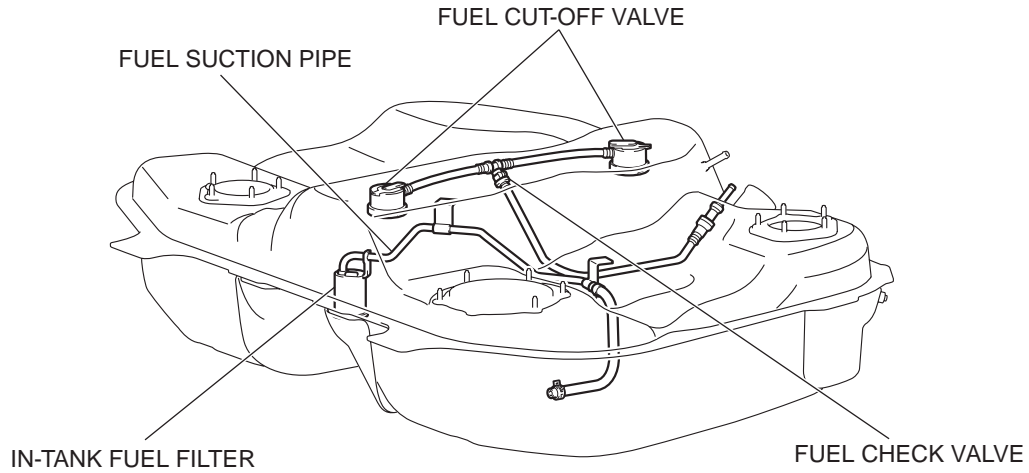
A steel fuel tank is located under the floor of the rear seats to provide increased safety and increase the amount of luggage compartment space.

- By combining the fuel pump and fuel filter in a single unit, fewer hose bonding points are used, reliability with regard to fuel leaks is improved, and the weight is lightened.
- A larger fuel tank {67 dm<sup>3</sup> (17.7 gal)} enables longer driving ranges.
- The fuel cut-off valve, fuel check valve, and fuel tube have been installed using in-tank construction to reduce the amount of evaporated fuel from hoses.

CONSTRUCTION DIAGRAM



AC404873AB



AC404874AB