

---

**GROUP 11A**

**ENGINE  
MECHANICAL  
<2.4L ENGINE>**

**CONTENTS**

**GENERAL DESCRIPTION..... 11A-2    BASE ENGINE ..... 11A-2**

**GENERAL DESCRIPTION**

M2112000100749

The engine is basically the same as that for the 2.4L engine installed in the GALANT.

**MAJOR SPECIFICATIONS**

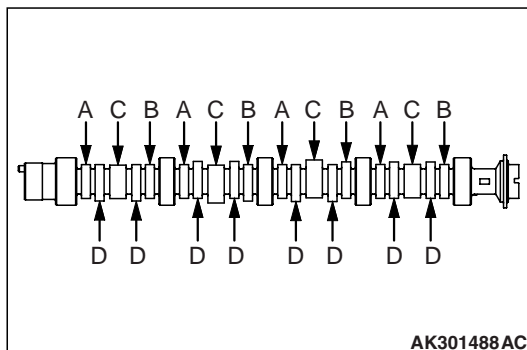
ITEMS		SPECIFICATIONS
Total displacement cm <sup>3</sup> (cu in)		2,378 (145.1)
Bore × Stroke mm (in)		87.0 (3.42) × 100.0 (3.94)
Compression ratio		9.5
Combustion chamber		Pentroof type
Camshaft arrangement		SOHC
Valve timing	Intake Open	6° BTDC <Low speed cam>
		20° BTDC <High speed cam>
	Intake Close	38° ABDC <Low speed cam>
		72° ABDC <High speed cam>
Exhaust Open	60° BBDC	
Exhaust Close	16° ATDC	
Maximum output kW/r/min (HP/r/min)		121/6,000(162/6,000)
Maximum torque N·m/r/min (lbs-ft/r/min)		220/4,000(162/4,000)
Fuel system		Electronic-controlled multiport fuel injection
Ignition system		Electronic-controlled 4-coil

**BASE ENGINE**

M2112001000574

**GENERAL DESCRIPTION**

The following camshaft specifications are different than the GALANT 4G69-SOHC engine.

**CAMSHAFT**

	CAM HEIGHT
A: Intake low speed cam A	37.47 mm (1.475 in)
B: Intake low speed cam B	37.47 mm (1.475 in)
C: Intake high speed cam	37.21 mm (1.465 in)
D: Exhaust cam	37.86 mm (1.491 in)